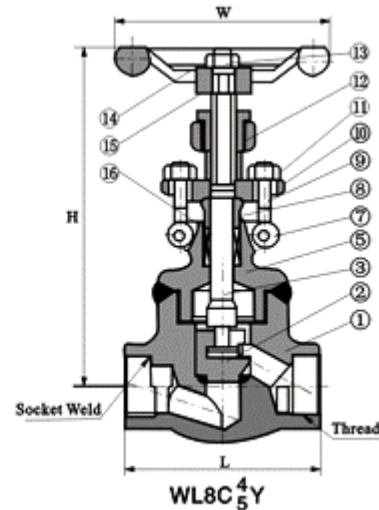
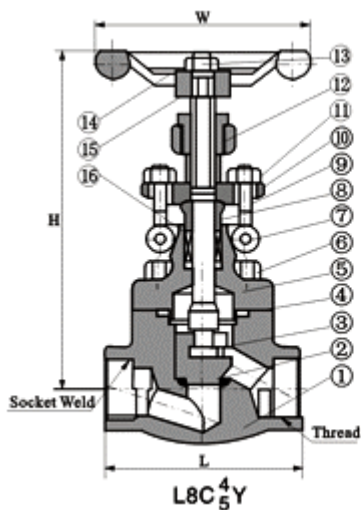


Taiyi valve

<http://www.taiyivalve.com>

## Forged steel globe valve



### Material List

Item	Part name	CS to ASTM	AS to ASTM	SS to ASTM			
		A105	F22	F304(L)	F316(L)		
1	Body	A105	A182F22	A182F304(L)	A182F316(L)		
2	Disc	A276420	A276304	A276304(L)	A276316(L)		
3	Stem	A182F6	A182F304	A182F304(L)	A182F316(L)		
4	Gasket	SS+Flexible graphite		316+PTFE			
5	Bonnet	A105	A276f304	A276F304(L)	A276F316(L)		
6	Bolt	A193B7	A193B16	A193B8	A193B8M		
7	Pin	A276420		A276 304			
8	Gland	A276410		A182F304(L)	A182F316(L)		

9	Gland eyebolt	A193B7	A193B16	A193B8	A193B8M		
10	Gland flange	A216WCB		A351CF8			
11	Nut	A1942H	A1944	A1948	A1948M		
12	Yoke nut	A276410					
13	Lock Nut	A1942H	A1944	A1948	A1948M		
14	Nameplate	SS					
15	Handwheel	A197					
16	Packing	Flexible graphite		PTFE			
Suitable medium		W.O.G etc	W.O.G etc	Nitric acid,Acetic acid etc			
Suitable temperature		-29°C~425°C	-29°C~550°C	-29°C~200°C			

Note:Other material are available upon request.

CS=Carbon steel;AS=Alloy steel;SS=Stainless steel;

### Size(MM)&Weight(KG)

NPS	Red. bore	3/8"	1/2"	3/4"	1"	1 1/4"	1 1/2"
	Full bore		3/8"	1/2"	3/4"	1"	1 1/4"
L		79	79	92	111	120	152
H(Open)		166	166	171	207	240	258
W		100	100	100	125	160	160
Weight	Bolted	1.9	1.9	2.1	3.5	6	7.5
	Welded	1.7	1.7	1.9	3.3	5.2	6.8

Forged steel globe valve 900Lb - 1500Lb

### Material List

Item	Part name	CStoASTM	AStoASTM	SStoASTM			
		A105	F22	F304(L)	F316(L)		
1	Body	A105	A182F22	A182F304(L)	A182F316(L)		
2	Disc	A276420	A276304	A276304(L)	A276F316(L)		
3	Stem	A182F6	A182F304	A182F304(L)	A182F316(L)		
4	Gasket	316+Flexible graphite		316+PTFE			
5	Bonnet	A105	A276304	A276304(L)	A276F316(L)		
6	Bolt	A193B7	A193B16	A193B8	A193B8M		
7	Pin	A276420		A276 304			
8	Gland	A276410		A182F304(L)	A182F316(L)		
9	Gland eyebolt	A193B7	A193B16	A193B8	A193B8M		
10	Gland flange	A216WCB		A351CF8			
11	Nut	A1942H	A1944	A1948	A1948M		
12	Yoke nut	A276420					
13	Lock nut	A1942H	A1944	A1948	A1948M		
14	Nameplate	SS					
15	Handwheel	A197					

16	Packing	Flexible graphite		PTFE		
Suitable medium		W.O.G etc	W.O.G etc	Nitric acid,Acetic acid etc		
Suitable temperature		-29°C ~ 425°C	-29°C ~ 550°C	-29°C ~ 200°C		

Note:Other material are available upon request.

CS=Carbon steel;AS=Alloy steel;SS=Stainless steel;

**Size(MM)&Weight(KG)**

NPS	Red.bore	3/8"	1/2"	3/4"	1"	1 1/4"	1 1/2"
	Full bore		3/8"	1/2"	3/4"	1"	1 1/4"
L		92	111	111	120	152	172
H(Open)		171	207	207	240	258	330
W		100	125	125	160	160	180
Weight	Bolted	2.2	3.7	3.6	6.8	7.6	11.6
	Welded	2	3.4	3.3	6	5.6	10.3