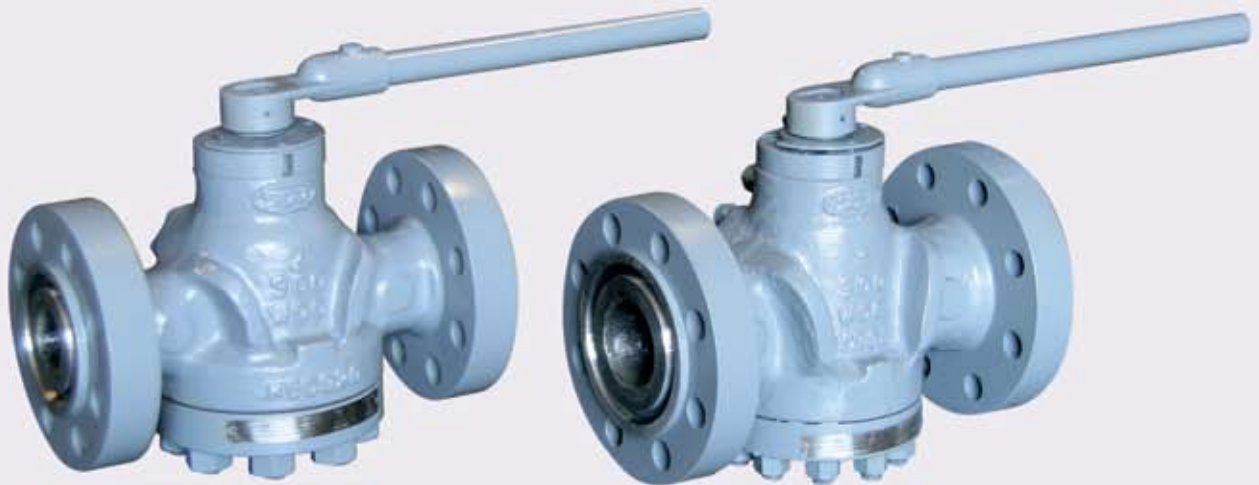


# Pressure Balance Lubricated Plug Valves Cast Steel

**Sizes 1/2" - 24"**  
**Class 150 - 1500**



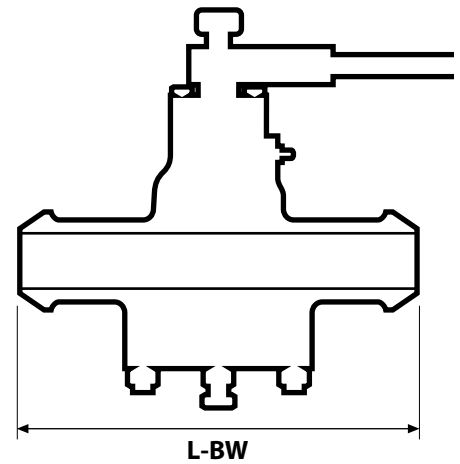
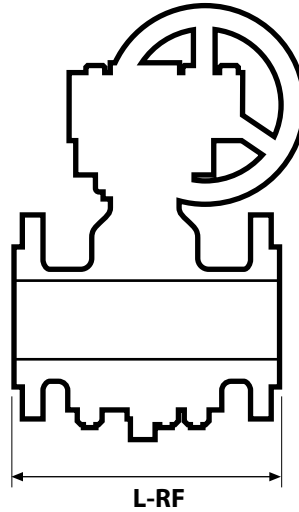
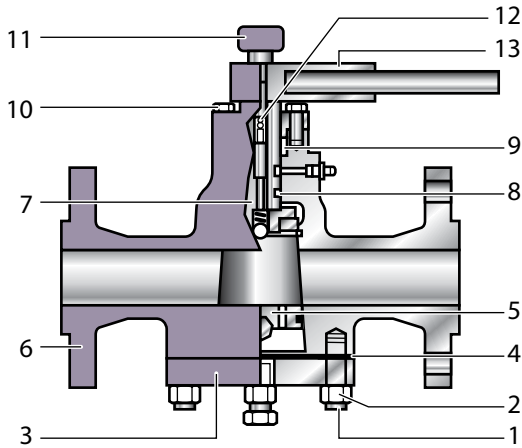
## Design and Manufacturing Standards

<b>Basic Design</b>	<b>API 6D</b>
<b>Shell Wall Thickness</b>	<b>API 6D</b>
<b>Face to Face Dimension</b>	<b>API 6D</b>
<b>Flange End Dimension</b>	<b>ANSI B16.5</b>
<b>Butt-Weld End Dimension</b>	<b>ANSI B16.25</b>
<b>Inspection &amp; Testing</b>	<b>API 6D</b>

Pressure Balance Lubricated Plug Valves

Class 150 - 1500

1/2" - 24"



BILL OF MATERIAL

NO	NAME OF PART	MATERIAL
1	BOLT	ASTM A193-B7, A193-B8, A193-B8M
2	NUT	ASTM A194-2H, A194-8, A194-8M
3	COVER	ASTM A216-WCB, WCC, C5, A351-CF8, CF8M, CF3, CF3M, CF8C, Duplex
4	GASKET	FLEXIBLE GRAPHITE, STAINLESS STEEL, PTFE
5	PLUG	ASTM A182-GR. F6A, ASTM A182-F22, ASTM A-351-CF8, CF8M, CF3, CF3M, CF8C, Duplex
6	BODY	ASTM A216-WCB, WCC, C5, A351-CF8, CF8M, CF3, CF3M, CF8C, Duplex
7	STEM	ASTM A182-GR. F6A, ASTM A182-F22, ASTM A182-F304, F316, F321, F304L, F316L, 17-4
8	O-RING	NBR
9	PACKING	FLEXIBLE GRAPHITE, PTFE
10	GLAND	Cast
11	OIL NOZZLE	Plated
12	CHECK VALVE	SS
13	WRENCH	ASTM A47-32510, A216 WCB

CLASS 150 - PRESSURE BALANCED LUBRICATED PLUG VALVES

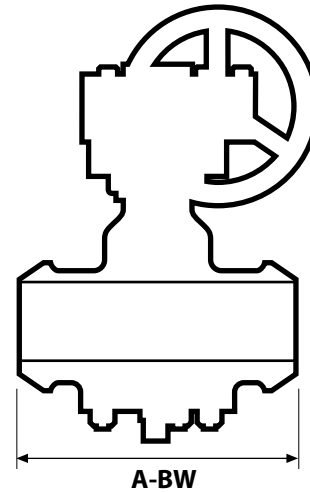
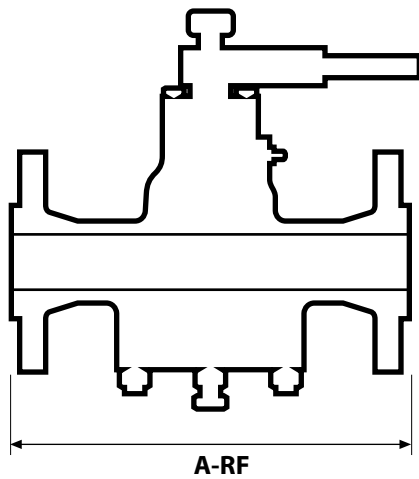
DIMENSIONS & WEIGHTS

SIZE	in	.5	.75	1	1.25	1.5	2	2.5	3	4	5	6	8	10	12	14	16	18	20	24	30
	mm	13	19	25	32	38	51	64	76	102	127	152	203	254	305	356	406	457	508	610	762
A-RF	in	4.25	4.5	5	5.5	6.5	7	7.5	8	9	10	10.5	11.5	13	14	27	30	34	36	42	51
	mm	108	117	127	140	165	178	190	203	229	254	267	292	330	356	686	762	864	914	1067	1295
A-BW	in	6	7	8	8.5	9	10.5	12	13	14	15	15.5	18	21	24	27	30	34	36	42	51
	mm	152	178	203	216	229	267	305	330	356	381	394	457	533	610	686	762	864	914	1067	1295
WGT	lb	26.5	31	35	42	46	53	68	79	134	189	286	418	561	836	1232	1420	2020	2800	3900	6200
	kg	12	14	16	19	21	24	31	36	61	86	130	190	255	380	560	645	918	1273	1773	2818

CLASS 300 - PRESSURE BALANCED LUBRICATED PLUG VALVES

DIMENSIONS & WEIGHTS

SIZE	in	.5	.75	1	1.25	1.5	2	2.5	3	4	5	6	8	10	12	14	16	18	20	24	30
	mm	13	19	25	32	38	51	64	76	102	127	152	203	254	305	356	406	457	508	610	762
A-RF	in	5.5	6	6.5	7	7.5	8.5	9.5	11	12	15	16	16.5	18	19.75	30	33	36	39	45	55
	mm	140	152	165	178	190	216	241	283	305	381	403	419	457	502	762	838	914	991	1143	1397
A-BW	in	6	7	8	8.5	9	10.5	12	13	14	15	18	20.5	22	25	30	33	36	39	45	55
	mm	152	178	203	216	229	267	305	330	356	381	457	521	559	635	762	838	914	991	1143	1397
WGT	lb	26.5	31	35	42	46	53	68	79	134	189	286	418	561	836	1232	1820	2700	3340	5500	11530
	kg	12	14	16	19	21	24	31	36	61	86	130	190	255	380	560	827	1227	1518	2500	5241



**CLASS 600 - PRESSURE BALANCED LUBRICATED PLUG VALVES**

**DIMENSIONS & WEIGHTS**

SIZE	in	.5	.75	1	1.25	1.5	2	2.5	3	4	5	6	8	10	12	14	16	18	20	24	30
	mm	13	19	25	32	38	51	64	76	102	127	152	203	254	305	356	406	457	508	610	762
A-RF	in	6.5	7.5	8.5	9	9.5	11.5	13	14	17	20	22	26	31	33	35	39	43	47	55	65
A-BW	mm	165	190	216	229	241	292	330	356	432	508	559	660	787	838	889	991	1092	1194	1397	1651
WGT	lb	31	35	39.5	44	53	64	77	103.5	200	284	462	704	1452	2024	2750	3400	4200	5500	9900	13970
	kg	14	16	18	20	24	29	35	47	91	129	210	320	660	920	1250	1545	1909	2500	4500	6350

**CLASS 900 - PRESSURE BALANCED LUBRICATED PLUG VALVES**

**DIMENSIONS & WEIGHTS**

SIZE	in	.5	.75	1	1.25	1.5	2	2.5	3	4	5	6	8	10	12	14	16	18	20
	mm	13	19	25	32	38	51	64	76	102	127	152	203	254	305	356	406	457	508
A-RF	in	9	9	10	11	12	14.5	16.5	15	18	22	24	29	33	38	40.5	44.5	48	52
A-BW	mm	229	229	254	279	305	368	419	381	457	559	610	737	838	965	1029	1130	1219	1321
WGT	lb	37	46	53	64	66	81	97	143	242	352	561	836	1782	2310	3212	4430	6400	9000
	kg	17	21	24	29	30	37	44	65	110	160	255	380	810	1050	1460	2014	2909	4091

**CLASS 1500 - PRESSURE BALANCED LUBRICATED PLUG VALVES**

**DIMENSIONS & WEIGHTS**

SIZE	in	.5	.75	1	1.25	1.5	2	2.5	3	4	6	8	10	12	14	16
	mm	13	19	25	32	38	51	64	76	102	152	203	254	305	356	406
A-RF	in	9	9	10	11	12	14.5	16.5	18.5	21.5	27.75	36.75	39	44.5	49.5	54.5
A-BW	mm	229	229	254	279	305	368	419	470	546	705	933	991	1130	1257	1384
WGT	lb	44	55	64	77	79	97	117	172	290	673	1003	2138	2772	3854	5315
	kg	20	25	29	35	36	44	53	78	132	306	456	972	1260	1752	2416

**CLASS 2500 - PRESSURE BALANCED LUBRICATED PLUG VALVES**

**DIMENSIONS & WEIGHTS**

SIZE	in	2	2.5	3	4	6	8	10	12
	mm	50	65	80	100	150	200	250	300
A-RF	in	17.75	20	22.75	26.50	36	40.25	50	56
A-BW	mm	451	508	578	673	914	1022	1270	1422
WGT	lb	145	180	270	420	1350	2220	4025	6200
	kg	66	82	123	191	614	1009	1830	2818