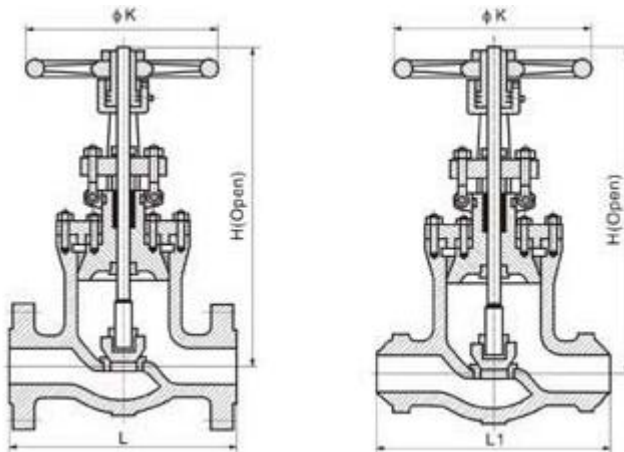


CLASS 600~2500 PRESSURE SEAL GLOBE VALVE



OS&Y, Rising stem, Plug Disc

Pressure sealing Bonnet, Threaded or welded seating

ASTM A216 WCB, A217 WC6, A351CF8, A351CF8M,

A351 CF3, A351 CF3M, A351 CN7M

Standards compliance

Design and Manufacture: ANSI B16.34, BS1873

Face to face(end to end): ANSI B16.10

Flanged connection: ANSI B16.5

Butt welded end: ANSI B16.25

Test and inspection: API598.

A.Back up ring: Absorbs thrust applied by internal pressure

B.Thrust ring: Protects the soft metallic gasket from deformation

C.Gasket: Unique angular design provides superior sealing

Materials		
NO.	Part name	Material
24	Grease nipple	Brass
23	Grub screw	Carbon steel
22	Hand wheel nut	Carbon steel
21	Hand wheel	Malleable Iron/cast steel ducile Iron
20	Yoke nut	Carbon steel/stainless steel

19	Eye bolt and nut	A 193 B7/A194 2H~A193 B8/A194 8
18	Pin	Carbon steel/stainless steel
17	Stem nut	A 439-D2/cu-alloy
16	Gland flange	Carbon steel~stainless steel
15	Gland	Stain less steel
14	Gland bush	Carbon steel~stainless steel
13	Back seat	Stainless steel
12	Disc nut	CS+SS/SS/SS+STL
11	Stem	Stainless steel
10	Seat ring	CS+SS/SS/SS+STL(See body material)
09	disc	CS+SS/SS/SS+STL(See body material)

NO.	Part name	WCB	LCB	WC6	WC9
08	Stud and nut	A193 Gr B7/A194 Gr 2H	A193 Gr B7/A194 Gr 4	A193 Gr B16/A194 Gr 4/7	A193 Gr B16/A194 Gr 4/7
07	Gland packing	Graphite	Graphite	Graphite	Graphite
06	Gasket	Soft Iron	Soft Iron	Ss304	Ss304
05	Thrust ring	A105	A182 F304	A182 F11	A182 F22
04	Back up ring	A105	A182 F304	A182 F11	A182 F22
03	Yoke	A216 Gr WCB	A352 Gr LCB	A271 Gr WC6	A271 Gr WC9
02	Bonnet	A216 Gr WCB	A352 Gr LCB	A271 Gr WC6	A271 Gr WC9
01	Body	A216 Gr WCB	A352 Gr LCB	A271 Gr WC6	A271 Gr WC9

NO.	Part name	C5	C12	CF8	CF8M
08	Stud and nut	A193 Gr B16/A194 Gr 4/7	A193 Gr B16/A194 Gr 4/7	A193 Gr B7/A194 Gr 2H	A193 Gr B7/A194 Gr 2H
07	Gland packing	Graphite	Graphite	Graphite	Graphite
06	Gasket	Ss304	Ss304	Ss304	Ss316
05	Thrust ring	A182 F22	A182 F22	A182 F304	A182 F316
04	Back up ring	A182 F22	A182 F22	A182 F304	A182 F316
03	Yoke	A216 Gr C5	A217 Gr C12	A351 Gr CF8	A351 Gr CF8M
02	Bonnet	A216 Gr C5	A217 Gr C12	A351 Gr CF8	A351 Gr CF8M
01	Body	A216 Gr C5	A217 Gr C12	A351 Gr CF8	A351 Gr CF8M

CLASS 600~2500 PRESSURE SEAL GLOBE VALVE

Dimensions										
Class 600										
Size	inch	2	2-1/2	3	4	5	6	8	10	12
L-L1	mm	292	330	356	432	508	559	660	787	838
L1-SP	mm	178	216	254	305	381	457	584	711	813
H	mm	510	610	610	725	800	1010	1180	1360	1780
K	mm	250	300	300	350	500	550	600	600	400
WT	Kg	38	65	105	105	185	230	410	615	895

Dimensions										
Class 900										
Size	inch	2	2-1/2	3	4	5	6	8	10	12
L-L1	mm	368	419	381	457	559	610	737	838	965
L1-SP	mm	225	254	305	365	432	508	660	787	914
H	mm	550	580	675	750	815	1085	1300	1420	1825
K	mm	300	350	350	500	500	350	350	400	450
WT	Kg	70	85	105	130	255	315	670	925	1200

Dimensions										
Class 1500										
Size	inch	2	2-1/2	3	4	5	6	8	10	
L-L1	mm	368	419	470	546	673	705	832	991	
L1-SP	mm	216	254	305	405	483	559	711	864	
H	mm	565	580	380	800	825	1130	1450	1535	
K	mm	300	350	400	450	500	600	450	500	
WT	Kg	80	90	115	160	300	410	650	1150	

Dimensions										
Class 2500										
Size	inch	2	2-1/2	3	4	5	6	8	10	
L-L1	mm	451	508	578	673	794	914	1022	1270	
L1-SP	mm	279	330	368	457	533	610	762	914	
H	mm	575	605	725	835	875	1200	1510	1720	
K	mm	350	350	350	400	400	400	450	550	

WT	Kg	95	110	125	210	565	615	1050	1525
----	----	----	-----	-----	-----	-----	-----	------	------

Gear operation suggested. Dimensions on request. Abbreviation: SP-Short pattern.